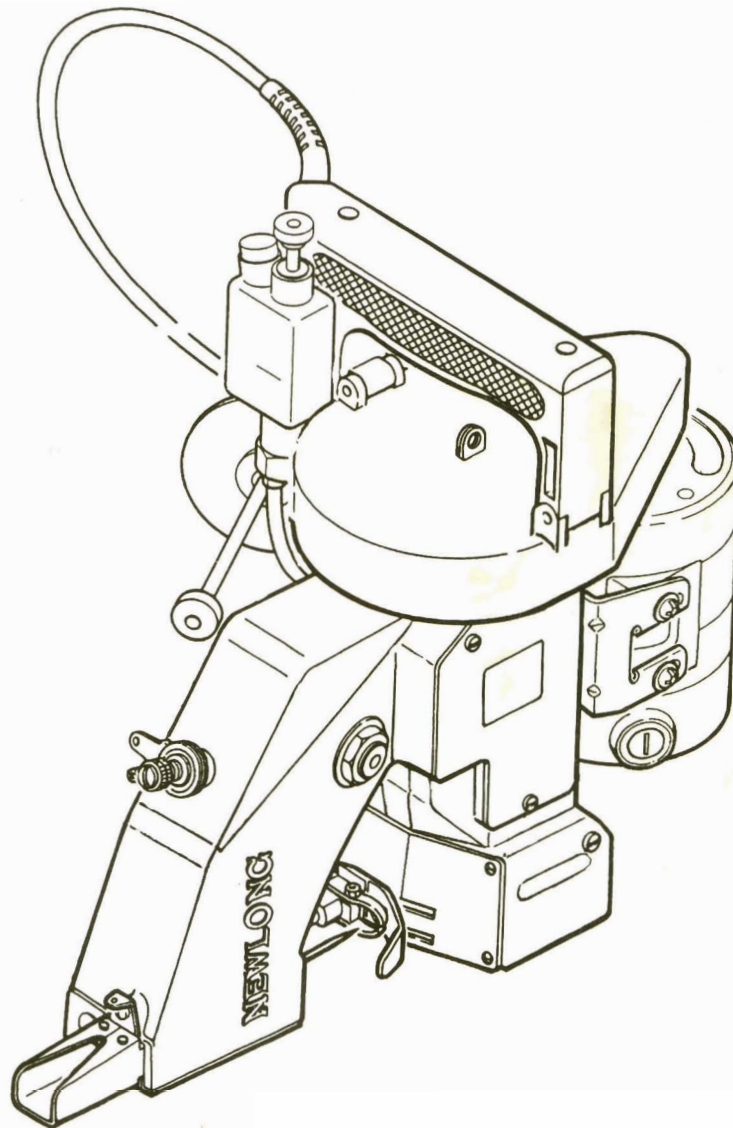


# NEWLONG

MODEL **NP-7A**  
**(NP-7H)**

PORTABLE FILLED BAG CLOSING MACHINE

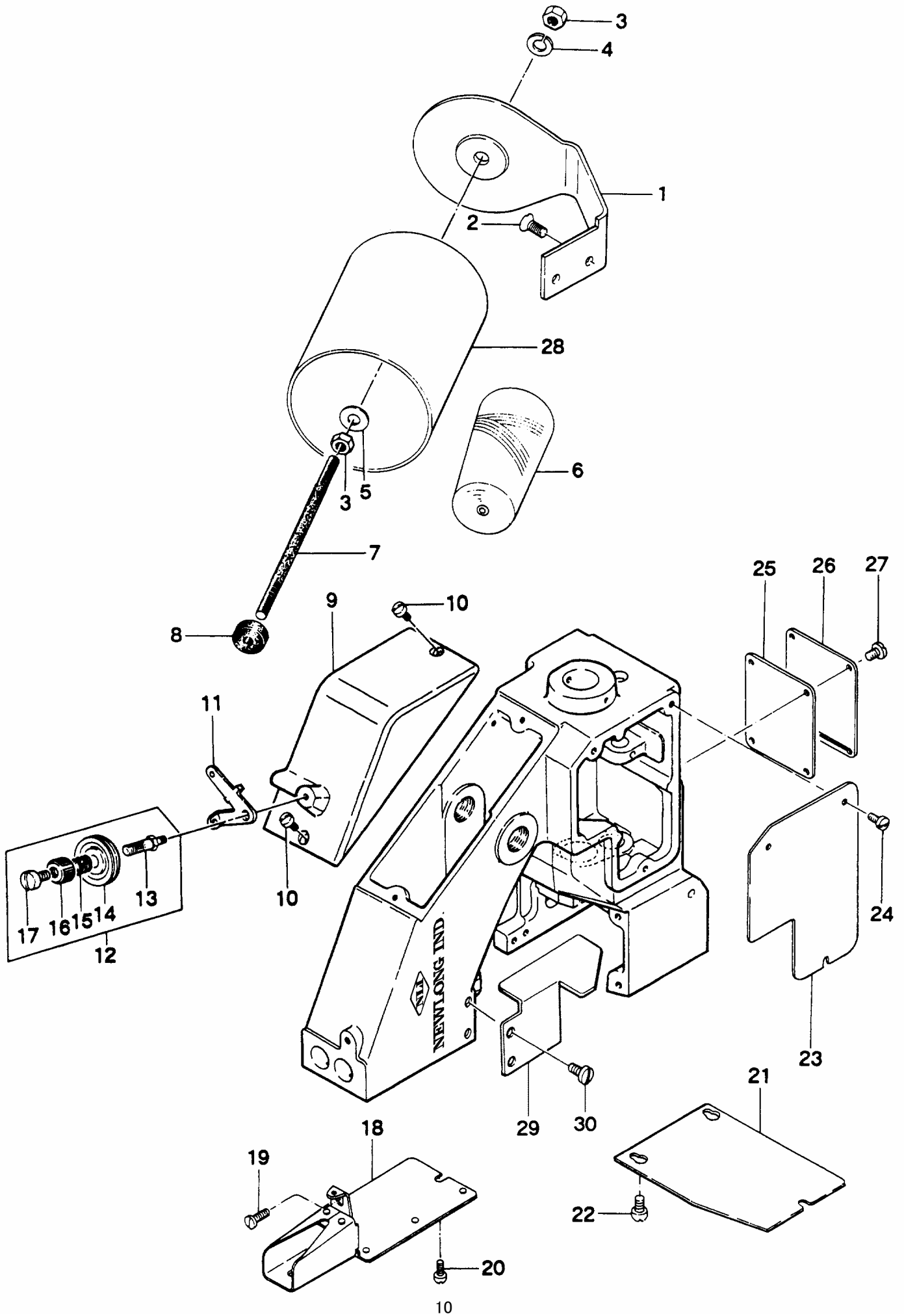
INSTRUCTION MANUAL/PARTS LIST



**ニューロング株式会社**  
NEWLONG MACHINE WORKS, LTD.

**No.35**

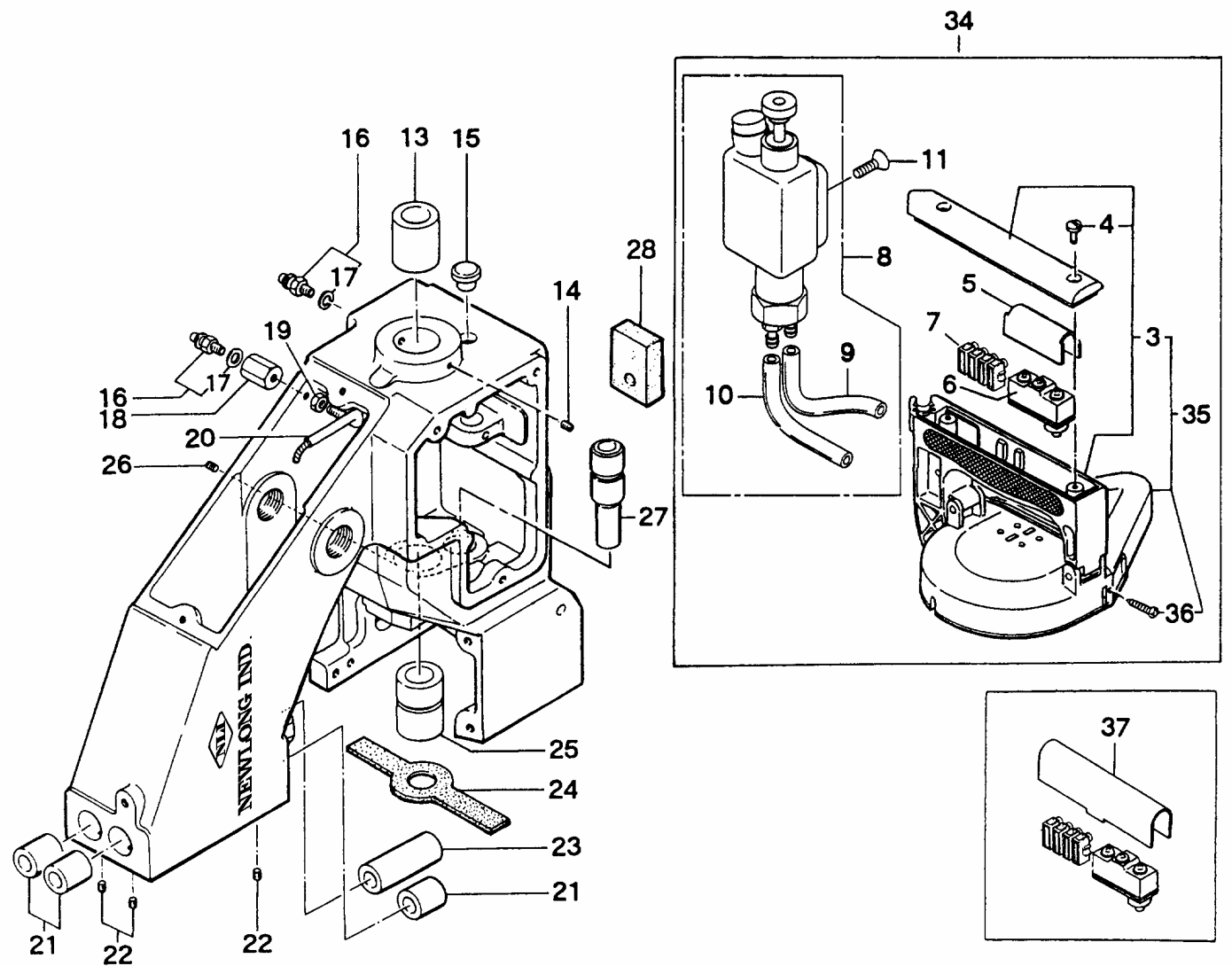
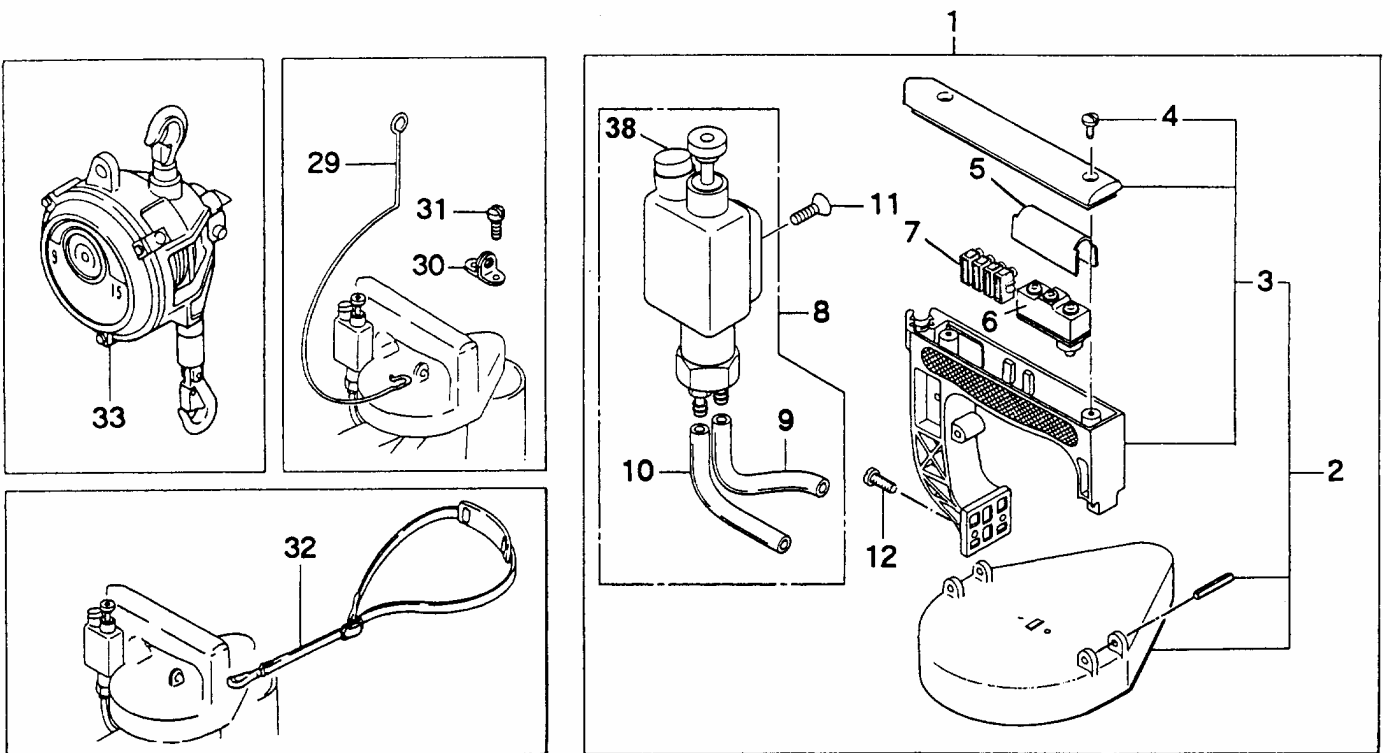
# (1) THREAD TENSION AND COVER PARTS



# (1) THREAD TENSION AND COVER PARTS

| Ref. No. | Part No.       | Description                    | Q' ty    | Remarks        |
|----------|----------------|--------------------------------|----------|----------------|
| 1        | 245042         | Thread Stand                   | 1        |                |
| 2        | 15/64S28028    | Screw, for 245042              | 2        |                |
| 3        | 1N6            | Nut                            | 2        |                |
| 4        | 3W6            | Spring Washer                  | 1        |                |
| 5        | 2W6            | Washer                         | 1        |                |
| 6        | K01001         | Thread                         | 1        |                |
| 7        | 245052         | Thread Cone Clamping Rod       | 1        |                |
| 8        | 245201         | Thread Cone Clamping Nut       | 1        |                |
| 9        | 245014         | Top Cover                      | 1        |                |
| 10       | 9/64S40005     | Screw, for 245014              | 2        |                |
| 11       | 245551         | Thread Eyelet                  | 1        |                |
| 12       | <b>245081C</b> | <b>Thread Tension Assembly</b> | <b>1</b> | <b>(13~17)</b> |
| 13       | 245081         | Tension Post                   | 1        |                |
| 14       | 065261         | Tension Disc                   | 2        |                |
| 15       | 245101         | Tension Spring                 | 1        |                |
| 16       | 245092         | Tension Nut                    | 1        |                |
| 17       | 9/64S40005     | Screw, for 245081C             | 1        |                |
| 18       | 245033         | Needle Bar Guard               | 1        |                |
| 19       | 11/64S40005    | Screw, for 245033              | 1        |                |
| 20       | 9/64S40065     | Screw, for 245033              | 2        |                |
| 21       | 245222         | Looper Cover                   | 1        |                |
| 22       | 9/64S40065     | Screw, for 245222              | 3        |                |
| 23       | 245022         | Side Plate                     | 1        |                |
| 24       | 9/64S40005     | Screw for 245022               | 3        |                |
| 25       | 245481         | Gasket                         | 1        |                |
| 26       | 245302         | Inside Cover                   | 1        |                |
| 27       | 9/64S40005     | Screw, for 245302              | 4        |                |
| 28       | 245181         | Thread Cone Cover              | (1)      | Special Order  |
| 29       | 245571         | Guard                          | (1)      | Special Order  |
| 30       | 9/64S40005     | Screw, for 245571              | (2)      |                |

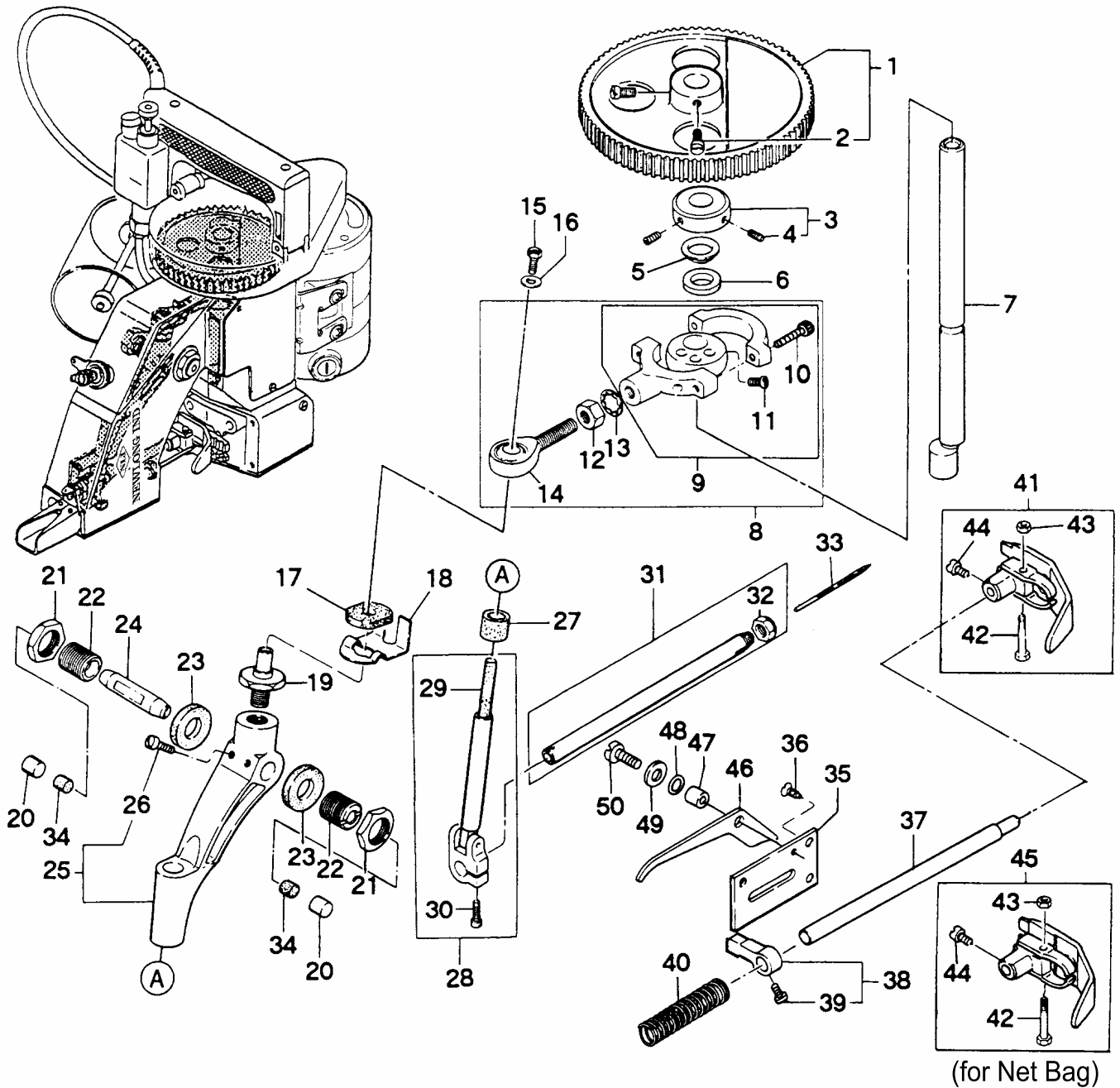
## (2) BUSHING, OILING AND HANDLE PARTS



## (2) BUSHING OILING AND HANDLE PARTS

| Ref. No. | Part No.    | Description                                     | Q'ty | Remarks       |
|----------|-------------|---|------|---------------|
| 1        | 241024AS    | Handle Assembly                                 | 1    | 2,5~11        |
| 2        | 241024A     | Handle Assembly                                 | 1    | (3,4)         |
| 3        | 241024      | Handle  | 1    | (4)           |
| 4        | 9/64S40011  | Screw, for 241024A                              | 2    |               |
| 5        | 245132      | Micro Switch Cover                              | 1    |               |
| 6        | C02001      | Micro Switch (Z-15GK655-B)                      | 1    |               |
|          | C02006      | Micro Switch (X-10GD-B)                         | 1    | for DC motor  |
| 7        | C05008      | Flexible Terminal Block (ML-SK-1,4P)            | 1    |               |
| 8        | D03003      | Oiler   | 1    | (9,10)        |
| 9        | 8FU2-6×90F  | Oil Tube, with oil felt                         | 1    |               |
| 10       | 8FU2-6×60F  | Oil Tube, with oil felt                         | 1    |               |
| 11       | 6S5×15      | Screw, for D03003                               | 1    |               |
| 12       | 15/64S28021 | Screw, for 241024A                              | 2    |               |
| 13       | 241122      | Main Shaft Bushing, rear                        | 1    |               |
| 14       | 9/64S40502  | Screw, for 241122                               | 1    |               |
| 15       | 065401      | Rubber Bushing                                  | 1    |               |
| 16       | D07021      | Joint (BN-5-9)                                  | 2    | (17)          |
| 17       | E03014      | Washer  | 2    |               |
| 18       | 245471      | Joint   | 1    |               |
| 19       | 1N4         | Nut   | 1    |               |
| 20       | 245461      | Oil Pipe  | 1    |               |
| 21       | 242212      | Bushing for Presser Bar & Needle Bar, upper     | 3    |               |
| 22       | 9/64S40504  | Screw, for 242212                               | 3    |               |
| 23       | 242222      | Presser Bar Bushing, lower                      | 1    |               |
| 24       | 245541      | Oil Felt  | 1    |               |
| 25       | 241111      | Main Shaft Bushing, lower                       | 1    |               |
| 26       | 9/64S40502  | Screw, for 241111                               | 1    |               |
| 27       | 243021      | Looper Rocker Shaft Bushing                     | 1    |               |
| 28       | 245162      | Oil Felt  | 1    |               |
| 29       | 245271      | Hanger  | (1)  | Special Order |
| 30       | 241151      | Hook  | (1)  |               |
| 31       | 1/8S40006   | Screw, for 241151                               | (2)  |               |
| 32       | 245171      | Shoulder Belt                                   | (1)  |               |
| 33       | MW-6. 5     | Spring Balancer                                 | (1)  |               |
| 34       | 241024BS    | Handle Assembly (Safety type with pulley cover) | (1)  | 5~11,35       |
| 35       | 241024B     | Handle Assembly (Safety type with pulley cover) | (1)  | (3,4,36)      |
| 36       | 9S2.6×10    | Screw, for 241024B                              | (1)  |               |
| 37       | 245133      | Micro Switch Cover                              | (1)  | for Canada    |
| 38       | 255351      | Rubber Bushing                                  | (1)  |               |

### (3) NEEDLE BAR, PRESSER BAR AND DRIVING PARTS

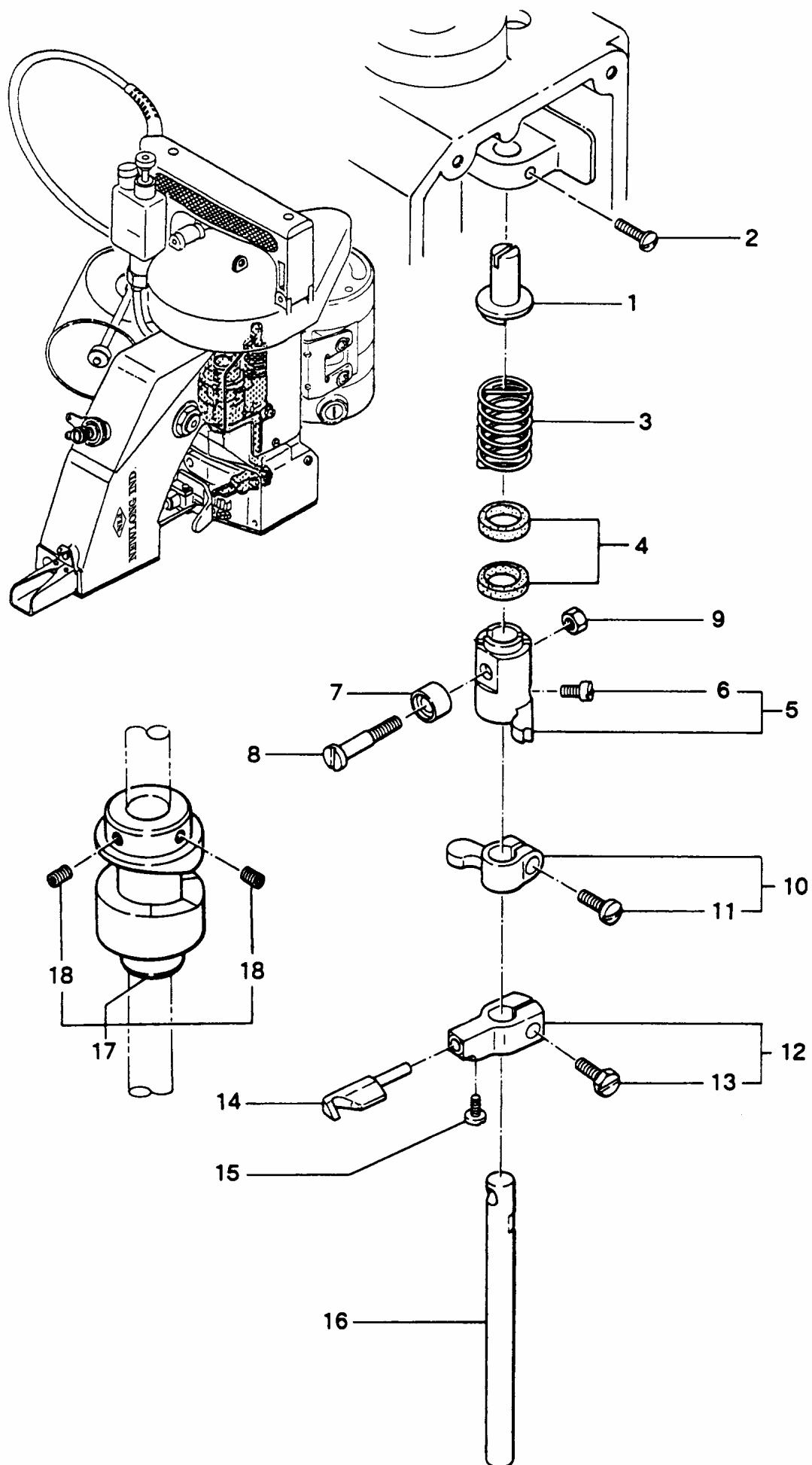


| Ref. No. | Part No.    | Description                   | Q' ty | Remarks |
|----------|-------------|-------------------------------|-------|---------|
| 1        | 241092      | Synchro Pulley                | 1     | (2)     |
| 2        | 3/16S28001  | Screw, for 241092             | 2     |         |
| 3        | 241131      | Retaining Collar              | 1     | (4)     |
| 4        | 11/64S40502 | Screw, for 241131             | 2     |         |
| 5        | 241161      | Spacer                        | 1     |         |
| 6        | 205131      | Oil Felt                      | 1     |         |
| 7        | 241102      | Main Shaft                    | 1     |         |
| 8        | 242011A     | Connecting Rod Assembly       | 1     | (9~14)  |
| 9        | 242011      | Connecting Rod Sub- Assembly  | 1     | (10,11) |
| 10       | 4B5×15      | Screw, for connecting rod cap | 2     |         |
| 11       | 11/64S40001 | Screw, for eccentric cam      | 2     |         |
| 12       | 1N8         | Nut, for 242011A              | 1     |         |

### (3) NEEDLE BAR, PRESSER BAR AND DRIVING PARTS

| Ref. No. | Part No.       | Description                                | Q'ty | Remarks                                    |
|----------|----------------|--|------|--|
| 13       | 5W8            | Washer, for 242011A                        | 1    |  |
| 14       | 6A04001        | Rod End (POS-8)                            | 1    |  |
| 15       | 11/64S40084    | Screw, for 242031                          | 1    |  |
| 16       | 11/64W15103    | Washer, for 242031                         | 1    |  |
| 17       | 245211         | Oil Felt                                   | 1    |  |
| 18       | 242041         | Spring                                     | 1    |  |
| 19       | 242031         | Rod End Stud                               | 1    |  |
| 20       | 245491         | Cap  | 2    |  |
| 21       | 5/8N18101      | Nut, for 242081                            | 2    |  |
| 22       | 242081         | Adjusting Stud                             | 2    |  |
| 23       | 245231         | Oil Felt                                   | 2    |  |
| 24       | 242071         | Needle Bar Lever Stud                      | 1    |  |
| 25       | <b>242051A</b> | <b>Needle Bar Lever Assembly</b>           | 1    | (26)                                       |
| 26       | 11/64S40004    | Screw, for 242051A                         | 2    |  |
| 27       | 245371         | Oil Felt                                   | 1    |  |
| 28       | <b>242101A</b> | <b>Needle Bar Connection Assembly</b>      | 1    | (29,30)                                    |
| 29       | 205171         | Oil Felt                                   | 1    |  |
| 30       | 11/64S40003    | Screw, for 242101A                         | 1    |  |
| 31       | <b>242121A</b> | <b>Needle Bar with Nut</b>                 | 1    | (32)                                       |
| 32       | 242131         | Needle Clamp Nut                           | 1    |  |
| 33       | B01002         | Needle (DN×1#25)                           | 1    |  |
| 34       | 065561         | Oil Felt                                   | 2    |  |
| 35       | 242172         | Presser Foot Lifter Base                   | 1    |  |
| 36       | 11/64S40002    | Screw, for 242172                          | 3    |  |
| 37       | 242201         | Presser Bar                                | 1    |  |
| 38       | <b>242181</b>  | <b>Presser Bar Connection</b>              | 1    | (39)                                       |
| 39       | 11/64S40003    | Screw, for 242181                          | 1    |  |
| 40       | 242191         | Presser Spring                             | 1    |  |
| 41       | <b>242231A</b> | <b>Presser Foot Assembly</b>               | 1    | (42~44)                                    |
| 42       | 9/64S40055     | Screw                                      | 1    |  |
| 43       | 9/64N40101     | Nut  | 1    |  |
| 44       | 11/64S40005    | Screw, for 242231A, 242233A                | 1    |  |
| 45       | <b>242233A</b> | <b>Presser Foot Assembly (for Net Bag)</b> | (1)  | (42~44)                                    |
| 46       | 242161         | Presser Foot Lifter                        | (1)  | Special Order<br>For Presser<br>Bar Lifter |
| 47       | 242271         | Collar                                     | (1)  |  |
| 48       | 31LP6          | “O” Ring                                   | (1)  |  |
| 49       | 11/64W15103    | Washer                                     | (1)  |  |
| 50       | 11/64S40009    | Screw, for 242161                          | (1)  |  |

# (4) LOOPER DRIVING PARTS

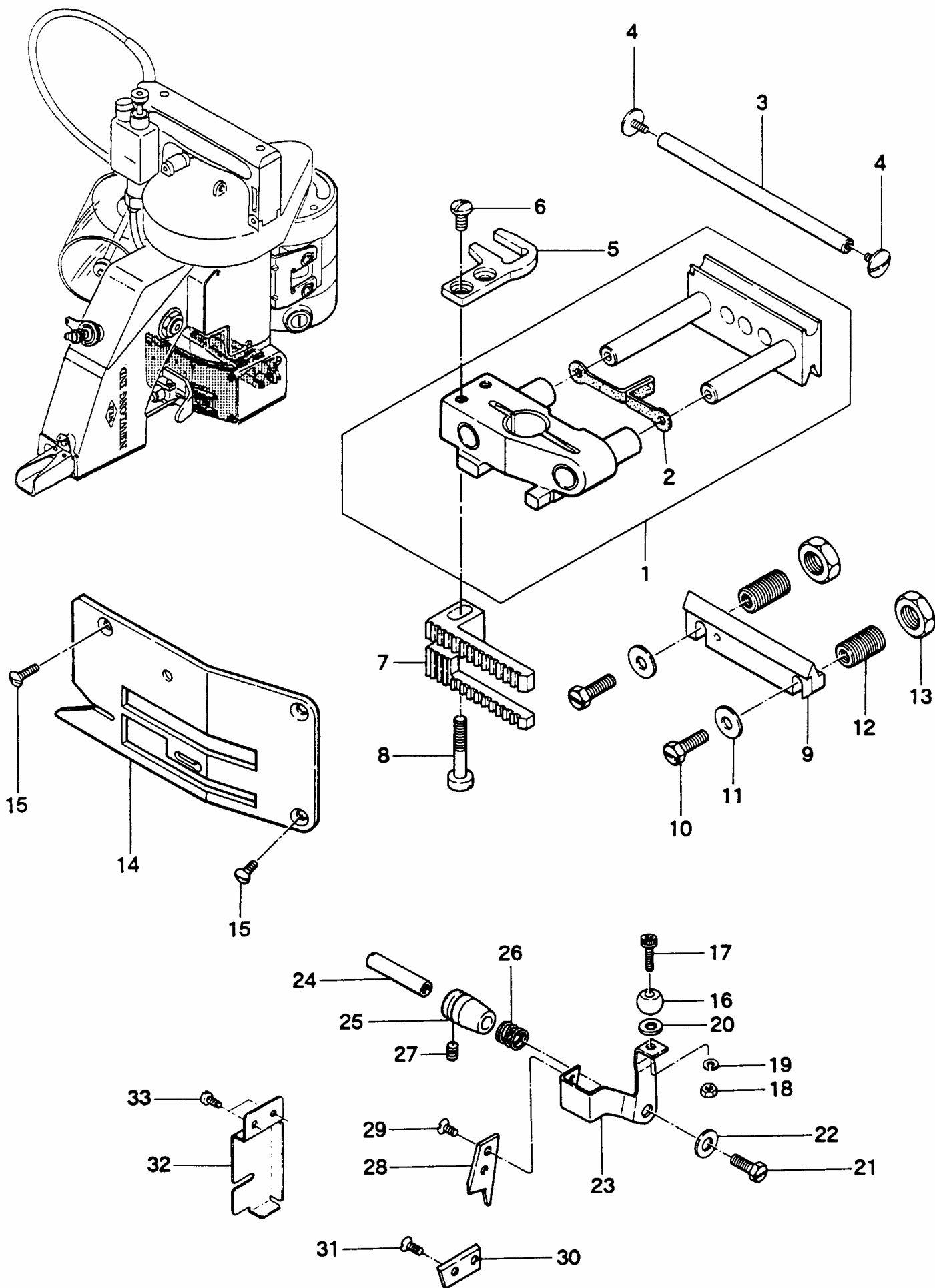




## (4) LOOPER DRIVING PARTS

| Ref. No. | Part No.      | Description                        | Q' ty | Remarks |
|----------|---------------|------------------------------------|-------|---------|
| 1        | 243121        | Spring Supporter                   | 1     |         |
| 2        | 11/64S40003   | Screw, for 243121                  | 1     |         |
| 3        | 243131        | Spring                             | 1     |         |
| 4        | 205131        | Oil Felt                           | 2     |         |
| 5        | <b>243071</b> | <b>Looper Rocker Shaft Arm (A)</b> | 1     | (6)     |
| 6        | 11/64S40002   | Screw, for 243071                  | 1     |         |
| 7        | 243041        | Roller                             | 1     |         |
| 8        | 243061        | Roller Stud Screw                  | 1     |         |
| 9        | 11/64N40201   | Nut, for 243061                    | 1     |         |
| 10       | <b>243081</b> | <b>Looper Rocker Shaft Arm (B)</b> | 1     | (11)    |
| 11       | 11/64S40009   | Screw, for 243081                  | 1     |         |
| 12       | <b>243092</b> | <b>Looper Rocker</b>               | 1     | (13)    |
| 13       | 11/64S40089   | Screw, for 243092                  | 1     |         |
| 14       | 243102        | Looper                             | 1     |         |
| 15       | 9/64S40001    | Screw, for 243102                  | 1     |         |
| 16       | 243032        | Looper Rocker Shaft                | 1     |         |
| 17       | <b>243012</b> | <b>Looper Drive Cam</b>            | 1     | (18)    |
| 18       | 15/64S28524   | Screw, for 243012                  | 2     |         |

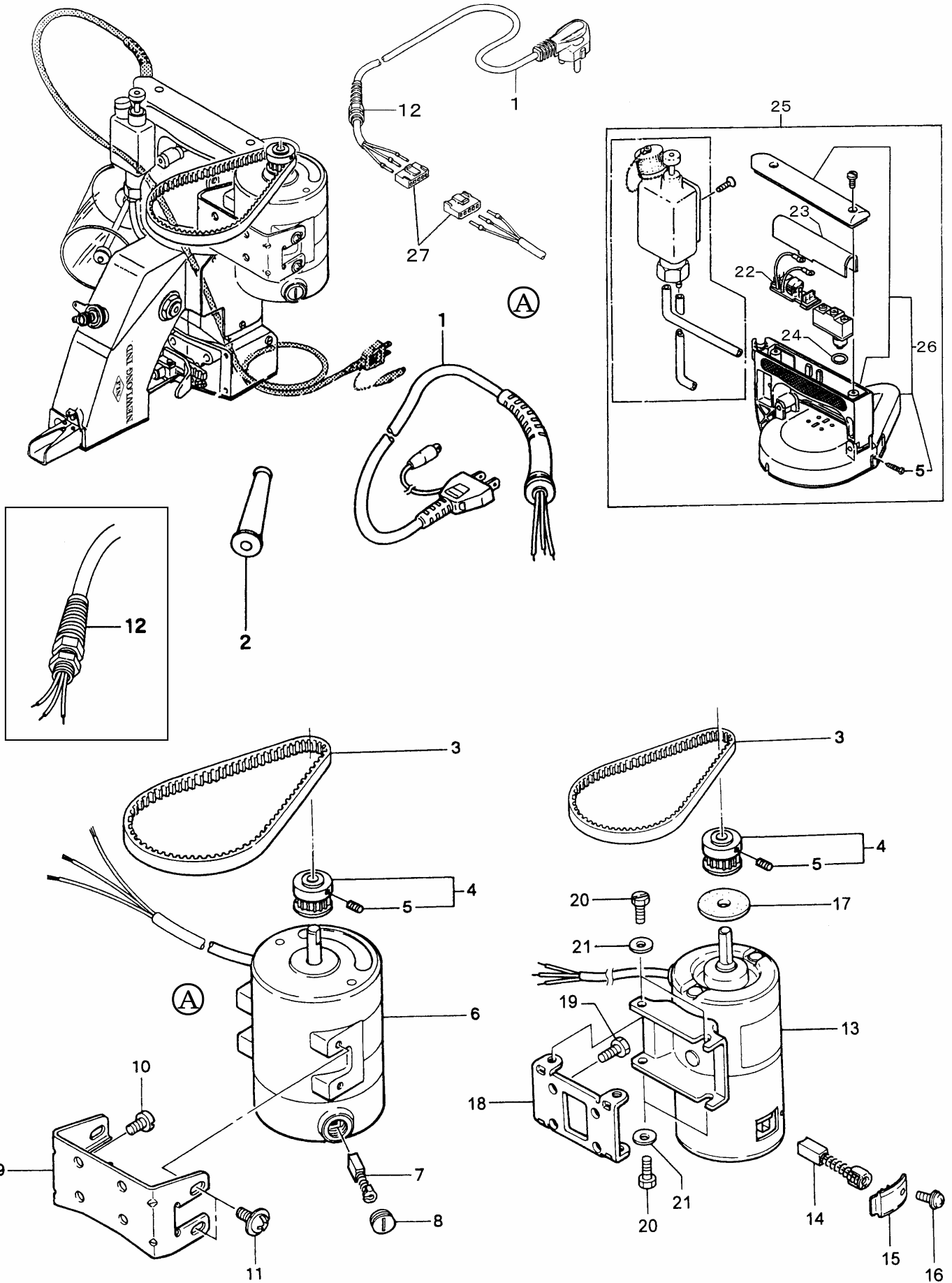
# (5) FEED DRIVING AND THREAD CUTTER PARTS



## (5) FEED DRIVING AND THREAD CUTTER PARTS

| Ref. No. | Part No.    | Description                        | Q'ty | Remarks         |
|----------|-------------|------------------------------------|------|-----------------|
| 1        | 244011A     | Feed Dog Carrier Block Assembly    | 1    | (2)             |
| 2        | 245391      | Oil Felt                           | 1    |                 |
| 3        | 244102      | Slide Block Guide Stud             | 1    |                 |
| 4        | 9/64S40011  | Screw, for 244102                  | 2    |                 |
| 5        | 246011      | Knife Bracket Extension            | 1    |                 |
| 6        | 3/16S32031  | Screw, for 246011                  | 2    |                 |
| 7        | 244111      | Feed Dog                           | 1    |                 |
| 8        | 3/16S32034  | Screw, for 244111                  | 1    |                 |
| 9        | 244081      | Slide Block Adjusting              | 1    |                 |
| 10       | 3/16S32025  | Lock Bolt, for 244091              | 2    |                 |
| 11       | 11/64W15103 | Washer, for 244091                 | 2    |                 |
| 12       | 244091      | Stud Slide Block Adjusting Support | 2    |                 |
| 13       | 3/8N24201   | Lock Nut, for 244091               | 2    |                 |
| 14       | 244122      | Throat Plate                       | 1    |                 |
| 15       | 9/64S40043  | Screw, for 244122                  | 3    |                 |
| 16       | 246081      | Ball                               | 1    |                 |
| 17       | 4B3×12      | Bolt, for 246081 (M3×0.5×12ℓ)      | 1    |                 |
| 18       | 1N3         | Nut, for 246081 (M3×0.5)           | 1    |                 |
| 19       | 3W3         | Spring Lock Washer (M3)            | 1    |                 |
| 20       | 1W3         | Washer, for 246081 (M3)            | 1    |                 |
| 21       | 11/64S40049 | Screw, for 246021                  | 1    |                 |
| 22       | 11/64W15103 | Washer, for 246021                 | 1    |                 |
| 23       | 246021      | Knife Bracket                      | 1    |                 |
| 24       | 246032      | Knife Bracket Pin                  | 1    |                 |
| 25       | 246042      | Bushing, for 246032                | 1    |                 |
| 26       | 246051      | Knife Tension Spring               | 1    |                 |
| 27       | 9/64S40502  | Screw, for 246042                  | 1    |                 |
| 28       | 246061      | Knife Moving                       | 1    |                 |
| 29       | 1/8S40003   | Screw, for 246061                  | 2    |                 |
| 30       | 246071      | Knife Stationary                   | 1    |                 |
| 31       | 1/8S40003   | Screw, for 246071                  | 2    |                 |
| 32       | 245561      | Knife Cover                        | 1    | ] Special Order |
| 33       | 1/8S40006   | Screw, for 245561                  | 2    |                 |

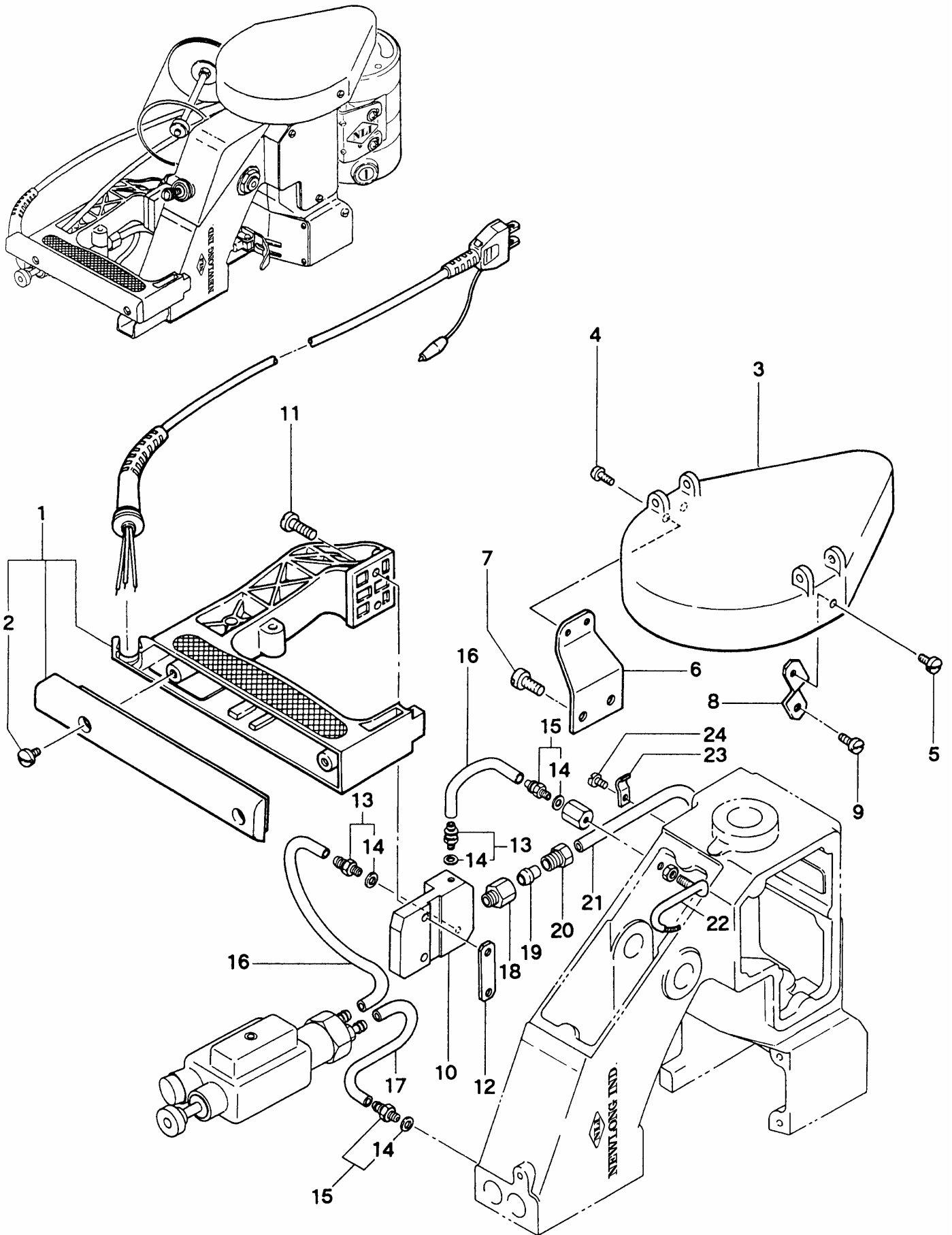
# (6) MOTOR PARTS (For Totally Enclosed Type Motor)



## (6) MOTOR PARTS (For Totally Enclosed Type Motor)

| Ref. No. | Part No.        | Description  | Q'ty | Remarks       |
|----------|-----------------|--|------|---------------|
| 1        | C04001          | Cabtyer Cord, with Plug (Standard Type)                | 1    |               |
|          | C04003          | Cabtyer Cord, with Plug (American Type)                | 1    |               |
|          | C04004          | Cabtyer Cord, with Plug (British Type)                 | 1    |               |
|          | C04005          | Cabtyer Cord, with Plug (German Type)                  | 1    |               |
|          | C04006          | Cabtyer Cord, with Plug (French Type)                  | 1    |               |
|          | C04007          | Cabtyer Cord, with Plug (Australian Type)              | 1    |               |
|          | C04009          | Cabtyer Cord, with Plug (for DC Motor)                 | 1    |               |
|          | C04010          | Cabtyer Cord, with Plug (British Type)                 | 1    | CE            |
|          | C04011          | Cabtyer Cord, with Plug (German Type)                  | 1    | CE            |
| 2        | 211151          | Rubber Bushing (for C04003-C04007)                     | (1)  |               |
| 3        | F01001          | Timing Belt  | 1    |               |
| 4        | <b>241083</b>   | <b>Motor Pulley</b>                                    | 1    | <b>(5)</b>    |
| 5        | 11/64S40504     | Screw, for 241083                                      | 2    |               |
| 6        | C01021          | Universal Motor (220V)                                 | 1    | (7,8) (CE)    |
|          | C01022          | Universal Motor (230V~240V)                            | 1    | (7,8) (CE)    |
|          | C01023          | Universal Motor (110V~120V)                            | 1    | (7,8) (CSA)   |
|          | C01032          | motor (DC.24V)   | (1)  | Special Order |
|          | C01033          | motor (DC.12V)   | (1)  | "             |
|          | C01034          | Air power  | (1)  | "             |
| 7        | C08008          | Carbon Brush, for AC Motor                             | 2    |               |
| 8        | C07004          | Cap  | 2    |               |
| 9        | 241075          | Motor Base   | 1    |               |
| 10       | 15/64S28004     | Screw, for 241075                                      | 4    |               |
| 11       | 13S5×10         | Screw, for Motor                                       | 4    |               |
| 12       | C06004          | Cable Clamp (SKIN TOP BS-9)                            | 1    | CE, CSA       |
| 13       | C01028          | Universal Motor (220V-90W)                             | 1    |               |
|          | C01029          | Universal Motor (240V-90W)                             | 1    |               |
|          | C01030          | Universal Motor (110V-90W)                             | 1    |               |
| 14       | C08004          | Carbon Brush, for AC Motor                             | 2    |               |
|          | C08005          | Carbon Brush, for DC Motor                             | 2    |               |
| 15       | C07003          | Cap  | 2    |               |
| 16       | 4S3×6-W         | Screw  | 2    |               |
| 17       | C07005          | Rubber Ring  | 1    |               |
| 18       | 241073          | Motor Base B   | 1    |               |
| 19       | 15/64S28004     | Screw, for 241073                                      | 4    |               |
| 20       | 11/64S40091     | Screw, for Motor                                       | 4    |               |
| 21       | 11/64W10101     | Washer, for Motor                                      | 4    |               |
| 22       | C09002          | Noise Filter   | 1    | CE            |
| 23       | 245133          | Micro Switch Cover                                     | 1    | CE, CSA       |
| 24       | 31LP16          | "O" Ring   | 1    | CE            |
| 25       | <b>241024DS</b> | <b>Handle Assembly (Safety Type with Pulley Cover)</b> | 1    | <b>CE</b>     |
| 26       | <b>241024D</b>  | <b>Handle Assembly</b>                                 | 1    |               |
| 27       | C05010          | Connector Housing (VHR-5N)                             | 2    | CE            |

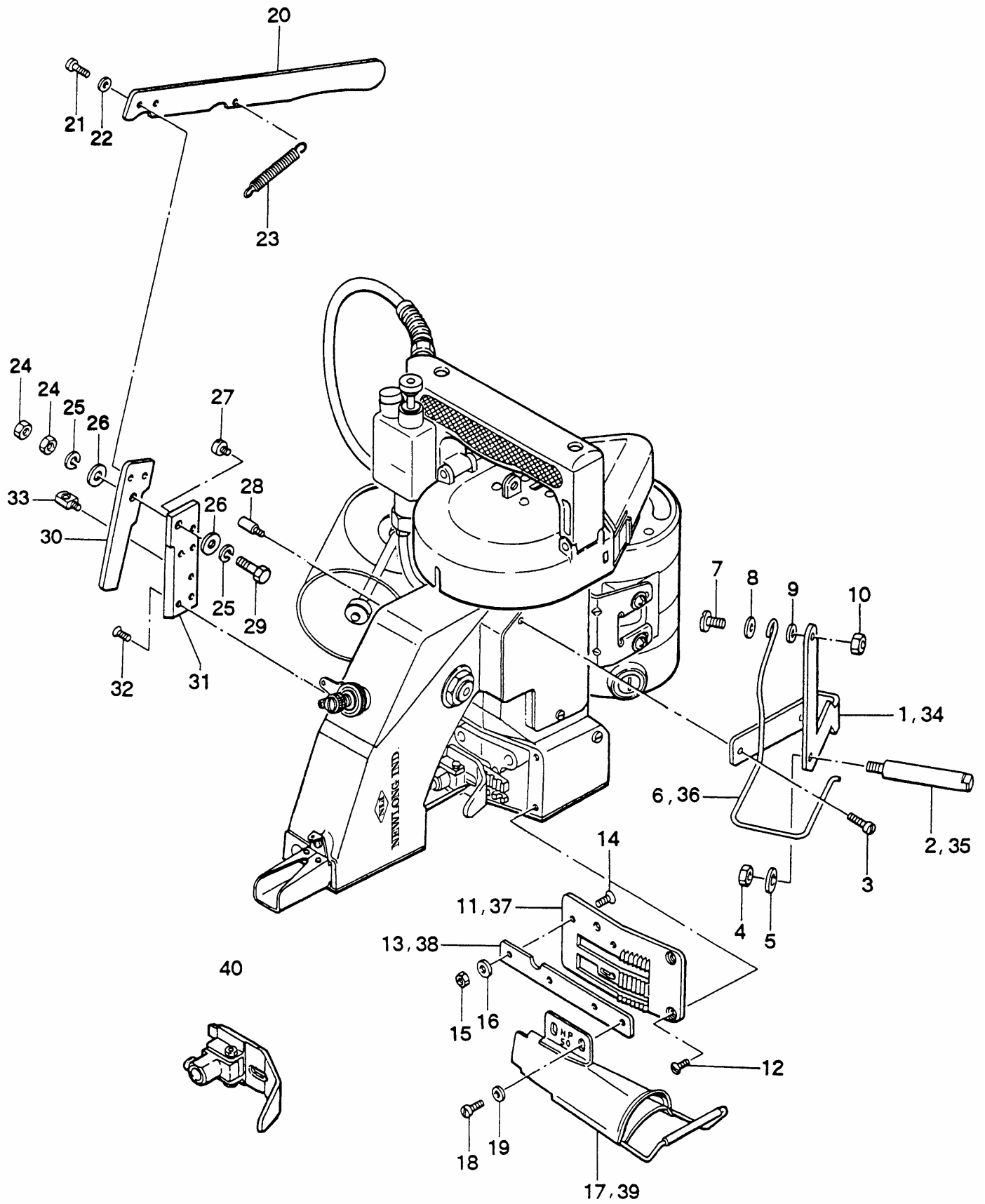
# (7) SPECIAL PARTS FOR NP-7H



## (7) SPECIAL PARTS FOR NP-7H

| Ref. No. | Part No.    | Description                        | Q' ty | Remarks |
|----------|-------------|------------------------------------|-------|---------|
| 1        | 241024      | Handle                             | 1     | (2)     |
| 2        | 9/64S40011  | Screw                              | 2     |         |
| 3        | 241212      | Pulley Cover                       | 1     |         |
| 4        | 9/64S40004  | Screw, for 241053                  | 2     |         |
| 5        | 9/64S40052  | Screw, for 241053                  | 1     |         |
| 6        | 241242      | Pulley Cover Holder A              | 1     |         |
| 7        | 15/64S28004 | Screw, for 241242                  | 2     |         |
| 8        | 241231      | Pulley Cover Holder B              | 1     |         |
| 9        | 9/64S40005  | Screw, for 241231                  | 1     |         |
| 10       | 241223      | Handle Base                        | 1     |         |
| 11       | 15/64S28032 | Screw, for 241253                  | 2     |         |
| 12       | 241253      | Handle Base Holder                 | 1     |         |
| 13       | D07021      | Joint (BN-5-6)                     | 2     | (14)    |
| 14       | E03014      | Washer                             | 4     |         |
| 15       | D07021      | Joint (BN-5-6)                     | 2     | (14)    |
| 16       | 8FU2-6×95F  | Oil Tube (φ 6×95ℓ), with oil felt  | 2     |         |
| 17       | 8FU2-6×70F  | Oil Tube (φ 6×70ℓ), with oil felt  | 1     |         |
| 18       | D07022      | Joint                              | 1     |         |
| 19       | D07023      | Compression Sleeve                 | 1     |         |
| 20       | D07024      | Compression Bushing                | 1     |         |
| 21       | 8FN2-4×135K | Oil Tube (φ 4×135ℓ), with oil wick | 1     |         |
| 22       | 245462      | Oil Pipe                           | 1     |         |
| 23       | D07009      | Tube Clip (PC-4-1)                 | 1     |         |
| 24       | 9/64S40005  | Screw, for D07009                  | 1     |         |

(8) CREPE TAPE BINDING AND CUTTER PARTS (Special Order Parts)

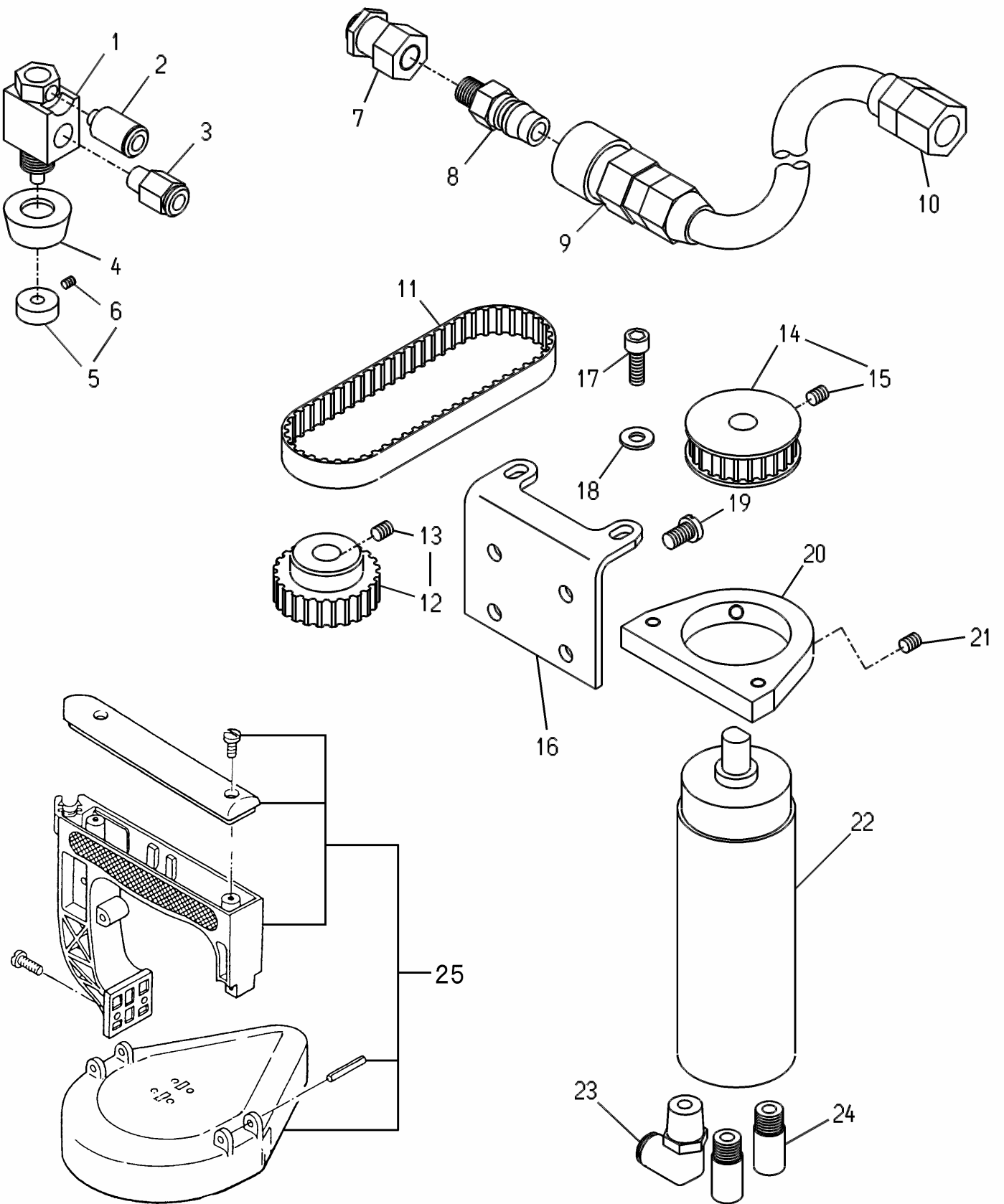




## (8) CREPE TAPE BINDING AND CUTTER PARTS (Special Order Parts)

| Ref.No. | Part No.    | Description                         | Q' ty | Remarks                       |
|---------|-------------|-------------------------------------|-------|-------------------------------|
| 1       | 247071      | Crepe Tape Bracket                  | 1     |                               |
| 2       | 247091      | Crepe Tape Hanger Stud              | 1     |                               |
| 3       | 9/64S40035  | Screw, for 247071                   | 2     |                               |
| 4       | 1N6         | Nut, for 247091 (M6)                | 1     |                               |
| 5       | 2W6         | Washer, for 247091 (M6)             | 1     |                               |
| 6       | 247081      | Crepe Tape Supporter                | 1     |                               |
| 7       | 11/64S40015 | Screw, for 247071                   | 1     |                               |
| 8       | 1/4W03205   | Spring Washer, for 247071           | 1     |                               |
| 9       | 1/4W15105   | Washer, for 247071                  | 1     |                               |
| 10      | 11/64N40203 | Nut, for 247071                     | 1     |                               |
| 11      | 244132      | Throat Plate                        | 1     |                               |
| 12      | 9/64S40043  | Screw, for 244132                   | 3     |                               |
| 13      | 247051      | Holder, for crepe tape binder       | 1     |                               |
| 14      | 9/64S40043  | Screw, for 247051                   | 2     |                               |
| 15      | 9/64N40101  | Nut, for 247051                     | 2     |                               |
| 16      | 2W4         | Washer, for 247051 (M4)             | 2     |                               |
| 17      | 247061      | Crepe Tape binder                   | 1     |                               |
| 18      | 9/64S40054  | Screw, for 247061                   | 2     |                               |
| 19      | 2W4         | Washer, for 247061 (M4)             | 2     |                               |
| 20      | 247031      | Cutter Lever                        | 1     |                               |
| 21      | 11/64S40046 | Screw, for 247011                   | 2     |                               |
| 22      | 11/64W10101 | Washer, for 247011                  | 2     |                               |
| 23      | 247041      | Spring                              | 1     |                               |
| 24      | 15/64N28206 | Nut, for 247021                     | 2     |                               |
| 25      | 3W6         | Spring Lock Washer, for 247021,(M6) | 2     |                               |
| 26      | 2W6         | Washer, for 247021,(M6)             | 2     |                               |
| 27      | 11/64S40029 | Stopper Screw, for 247011           | 1     |                               |
| 28      | 3/16S32026  | Stopper Screw, for 247031           | 1     |                               |
| 29      | 247021      | Hinge Pin                           | 1     |                               |
| 30      | 247011      | Knife, Moving                       | 1     |                               |
| 31      | 247001      | Knife, Stationary                   | 1     |                               |
| 32      | 1/8S40003   | Screw, for 247001                   | 4     |                               |
| 33      | 183261      | Spring Hook                         | 1     |                               |
| 34      | 247073      | Crepe Tape Bracket                  | (1)   | for Crepe Tape<br>width 70 mm |
| 35      | 247092      | Crepe Tape Hanger Stud              | (1)   |                               |
| 36      | 247082      | Crepe Tape Supporter                | (1)   |                               |
| 37      | 244133      | Throat Plate                        | (1)   |                               |
| 38      | 247052      | Holder, for crepe tape binder       | (1)   |                               |
| 39      | 247063      | Crepe tape Binder                   | (1)   |                               |
| 40      | 242261A     | Presser Foot Assembly               | (1)   |                               |

# (9) AIR MOTOR EXCLUSIVE PARTS (NP-7R)



## (9) AIR MOTOR EXCLUSIVE PARTS (NP-7R)

| Ref.No. | Part No.      | Description                           | Q' ty    | Remarks     |
|---------|---------------|---------------------------------------|----------|-------------|
| 1       | XS1158        | Air Valve                             | 1        |             |
| 2       | D07050        | Tube Fitting Straight (POC6-M6M)      | 1        |             |
| 3       | D07033        | Tube Fitting Straight (PC6-01M)       | 1        |             |
| 4       | XS1160        | Nut for Air Valve                     | 1        |             |
| 5       | <b>XS1159</b> | <b>Switch</b>                         | <b>1</b> | <b>(6)</b>  |
| 6       | 1S3×4         | Screw                                 | 1        |             |
| 7       | D07049        | Tube Fitting bulkhead Union (PMF6-01) | 1        |             |
| 8       | D07052        | Socket (10PM)                         | 1        |             |
| 9       | D07053        | Socket (30SAH)                        | 1        |             |
| 10      | D07054        | Socket (GT-12)                        | 1        |             |
| 11      | F01012        | Timing Belt (110XL037)                | 1        |             |
| 12      | <b>241321</b> | <b>Synchro Pulley</b>                 | <b>1</b> | <b>(13)</b> |
| 13      | 1S5×8         | Screw                                 | 2        |             |
| 14      | <b>241311</b> | <b>Motor Pulley</b>                   | <b>1</b> | <b>(15)</b> |
| 15      | 1S5×8         | Screw                                 | 2        |             |
| 16      | 241331        | Motor Base                            | 1        |             |
| 17      | 4B5×12        | Screw                                 | 2        |             |
| 18      | 2W5           | Washer                                | 2        |             |
| 19      | 15/64S28004   | Screw                                 | 4        |             |
| 20      | 241301        | Motor Holder                          | 1        |             |
| 21      | 1S5×8         | Screw                                 | 2        |             |
| 22      | C01034        | Air Motor                             | 1        |             |
| 23      | D07060        | Tube Fitting elbow (PL6-01)           | 1        |             |
| 24      | D07061        | Silencer (PT1/8)                      | 2        |             |
| 25      | XS1157        | Handle                                | 1        |             |